

Ekko R 67(45) S with frame doors

Data sheet

Details

- Fireplace insert, open on two sides
- 67(45)45 – Height 45 cm
67(45)51 – Height 51 cm
67(45)57 – Height 57 cm
- Self-closing door
- Front hinged, side part fixed
- Adjustable lower air washing
- Standard fire box inner lining: "Premium White" smooth chamotte



Ekko R 67(45) with frame doors and hinged front

Technical data

• Nominal heat output	9 kW
• Thermal output range	3,4 – 9,8 kW
• Efficiency	>78 %
• Insulation thickness (with wall that does not need to be protected) (based on SILCA® 250KM)	60 mm
• Combustion air connector	Ø 125 mm
• Recommend length of logs	33 cm
• Weight	220 – 240 kg
• Heat distribution through the viewing window	50 %
• Heat distribution, convective output	50 %

Data for chimney sweep according to DIN EN 13384 (closed operation)

Triple values with nominal heat output

• Flue gas mass flow	9,5 g/s
• Flue gas temperature	330 °C
• Required delivery pressure	12 Pa

Triple values for calculating ceramic flues (wood fuel)

• Firing power	19,8 kW
• Flue gas mass flow	25,5 g/s
• Flue gas temperature upstream of the connecting surface	347 °C
• Required delivery pressure at the flue gas connector	15 Pa
• Combustion air requirement	75,4 m ³ /h
• Recommended flue length ¹	3,5 m

Data for closed design

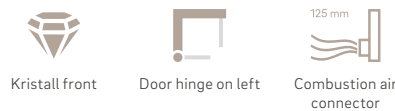
• Minimum heat-emitting surface ²	3,7 m ²
--	--------------------

¹The information regarding flue lengths is a recommendation and based on the calculation in accordance with TrOI 2020 chapter 15. The calculation is based on a medium-heavy design and a flue ratio of 360 cm².

²Average value based on the storage time. Dependent on the material properties and the construction thickness. Mean specific heat distribution = approx. 500 W/m²

There may be modifications to the colour and technical details caused by ongoing developments; subject to errors and omissions. Dated: 01/2022

Standard



Optional



Accessories



Energy efficiency class in accordance with (EU) 2015/1186



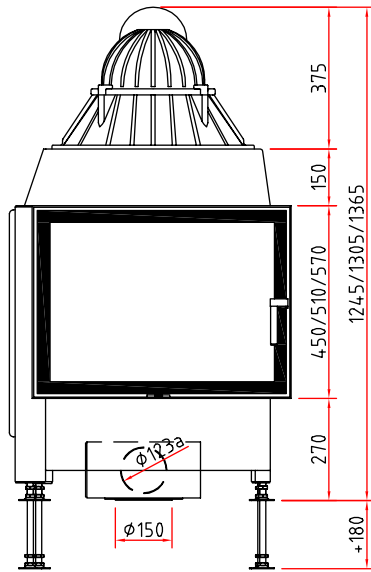
1. Federal Emissions Control Ordinance Stage 2



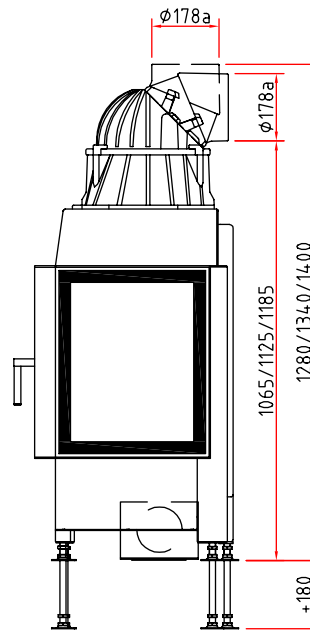
Ekko R 67(45) S with frame doors

Dimensional drawing

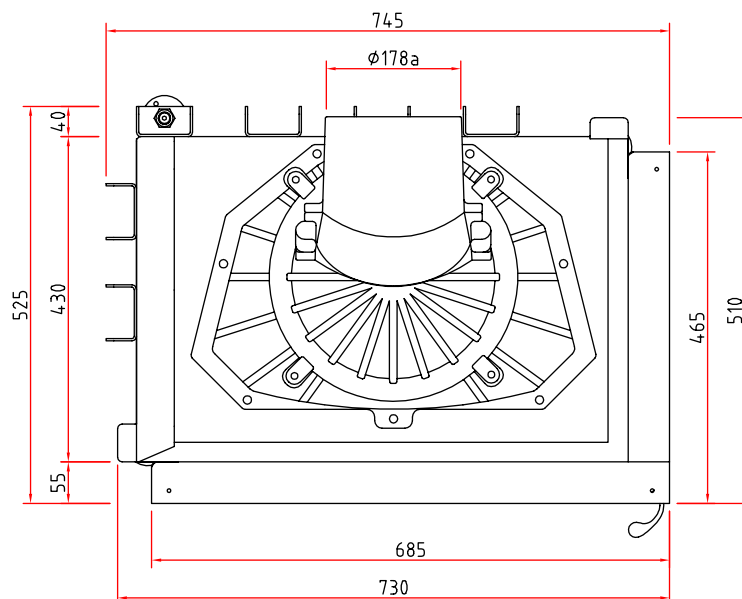
Front view, scale 1:20



Side view, scale 1:20



Top view, scale 1:10



Product data sheet

Regulation (EU) 2015/1186 supplementing Directive 2010/30/EU

	Ekko L/R 67(45) s/h
Supplier's name:	Camina & Schmid Feuerdesign und Technik GmbH & Co. KG
Supplier's model identifier:	Ekko L/R 67(45) s/h
Energy efficiency class:	A
Direct heat output (kW)	9,0
Indirect heat output (kW):	–
Energy efficiency index (EEI):	103,2
Energy efficiency at nominal heat output (%):	78,1
Notes for specific precautions, installation or maintenance:	Please note the reference in the assembly instructions and operating manuals!

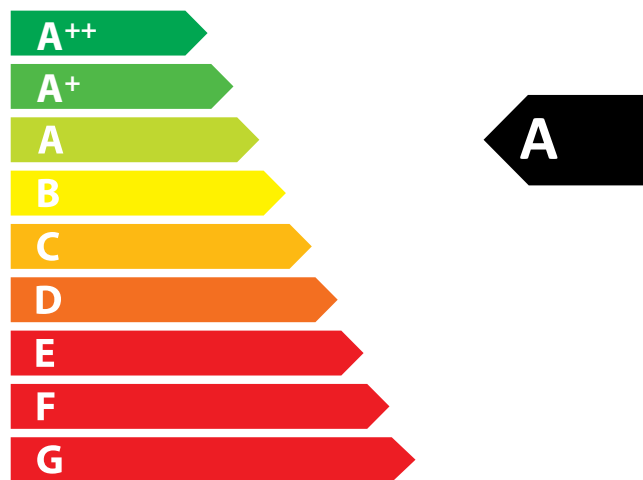
There may be modifications to technical details caused by ongoing developments; subject to errors and omissions. Dated: 11/2021



ENERG
енергия · ενέργεια



Camina  Schmid Ekko L/R 67(45) s/h



9,0
kW

ENERGIA · ЕНЕРГИЯ · ΕΝΕΡΓΕΙΑ · ENERGIJA · ENERGY · ENERGIE · ENERGI

2015/1186

Technical documentation for individual room heating appliances for use with solid fuels

Regulation (EU) 2015/1185 supplementary to Directive 2010/30/EU

Name and address of the manufacturer: Camina & Schmid Feuerdesign und Technik GmbH & Co. KG

Model identifier: Ekko L/R 67(45)

Equivalent models: –

Test reports: RRF – 29 06 1076

Harmonised standards: EN 13229:2001/A2:2004/AC:2007

Other applied standards or technical specifications: –

Indirect heating function (yes/no): no

Direct thermal output: 9.0 kW

Indirect thermal output: –

Properties when operating with the preferred fuel

Room heating annual efficiency η_s 5%: 65

Energy efficiency index (EEI): 103.2

Fuel	Preferred fuel (only one)	Other suitable fuel(s)	η_s [x%]	Emissions at nominal heat output (*)				Emissions at minimum thermal output (*) (**)			
				PM	OGC	CO	NO _x	PM	OGC	CO	NO _x
				[x] mg/Nm ³ (13 % O ₂)				[x] mg/Nm ³ (13 % O ₂)			
Wood logs, moisture content ≤ 25%	yes	no	75	40	120	1500	200	–	–	–	–
Wood logs, moisture content < 12%	no	no	–	–	–	–	–	–	–	–	–
Other wood-like biomass	no	no	–	–	–	–	–	–	–	–	–
Non-wood-like biomass	no	no	–	–	–	–	–	–	–	–	–
Anthracite and dry charcoal	no	no	–	–	–	–	–	–	–	–	–
Hard coal coke	no	no	–	–	–	–	–	–	–	–	–
Low-temperature coke	no	no	–	–	–	–	–	–	–	–	–
Bituminous coal	no	no	–	–	–	–	–	–	–	–	–
Lignite briquettes	no	no	–	–	–	–	–	–	–	–	–
Peat briquettes	no	no	–	–	–	–	–	–	–	–	–
Briquettes made from a mixture of fossil fuels	no	no	–	–	–	–	–	–	–	–	–
Other fossil fuels	no	no	–	–	–	–	–	–	–	–	–
Briquettes made from a mixture of biomass and fossil fuels	no	no	–	–	–	–	–	–	–	–	–
Other mixture of biomass and solid fuels	no	no	–	–	–	–	–	–	–	–	–

(*) PM = particulate matter, OGC = organic gaseous compounds, CO = carbon monoxide, NO_x = nitrous oxides

(**) Only required when using correction factors F(2) or F(3).

There may be modifications to the technical details caused by ongoing developments; subject to errors and omissions. Dated: 01/2022

Technical documentation for individual room heating appliances for use with solid fuels

Regulation (EU) 2015/1185 supplementary to Directive 2010/30/EU

Thermal output			Type of thermal output / Room temperature control (please select one)	
• Nominal heat output P_{nom}	9.0 kW		• One-stage thermal output, no room temperature control	yes
• Minimum heat output P_{min}	–		• Two or more stages, no room temperature control	no
Auxiliary power consumption			• Room temperature control by a mechanical thermostat	no
• At nominal heat output $e_{l,max}$	–		• with electronic room temperature control	no
• At minimum heat output $e_{l,min}$	–		• with electronic room temperature control and daytime control	no
• In standby mode $e_{l,SB}$	–		• with electronic room temperature control and weekday control	no
Fuel efficiency (based on the calorific value (NCV))			Other controls (more than one answer is possible)	
• Fuel efficiency at nominal heat output, $\eta_{th,nom}$	78.1 %		• Room temperature control with presence detection	no
• Fuel efficiency at minimal heat output, $\eta_{th,min}$	–		• Room temperature control with detection of open windows	no
Power requirement of the pilot flame			• With remote control option	no
• Power requirement of the pilot flame (if present), P_{pilot}	–			

Specific precautions for assembly, installation or maintenance

Please refer to the information in the installation and operating instructions!

There may be modifications to the technical details caused by ongoing developments; subject to errors and omissions. Dated: 01/2022